

ITEM	MANUFACTURER	MODEL	DESCRIPTION	EXIST'G	PROJ.	FUT.
1	MILNOR	30022V6J	60 LB WASHER-EXTRACTOR		2	
2	MILNOR	M758	75 LB GAS DRYER		2	1
3	EMERGENICS	AF3	LINT COLLECTOR		1	
4	HAMILTON	HW299	HOT WATER HEATER		1	
5	HAMILTON	HET200	200 GALLON HOT WATER TANK		1	

EQUIPMENT LIST

ITEM	MANUFACTURER	MODEL	DESCRIPTION	EXIST'G	PROJ.	FUT.
1	MILNOR	30022V6J	60 LB WASHER-EXTRACTOR		2	
2	MILNOR	M758	75 LB GAS DRYER		2	1
3	EMERGENICS	AF3	LINT COLLECTOR		1	
4	HAMILTON	HW299	HOT WATER HEATER		1	
5	HAMILTON	HET200	200 GALLON HOT WATER TANK		1	

ELECTRICAL REQUIREMENTS

MODEL	VOLTAGE	HZ	PH	CIRCUIT BREAKER	WIRE SIZE
30022V6J	208-240	60	3	20 AMP	N.E.C.
M758	208-240	60	3	15 AMP	N.E.C.
HW299	230	60	1	4-3 AMPS	N.E.C.

CONSULT ELECTRICAL CODE FOR LOCAL REQUIREMENTS. USE ONLY 3 POLE CIRCUIT BREAKERS FOR 3PH SERVICE. MANUFACTURERS RECOMMEND PROVIDING 1 CIRCUIT BREAKER FOR EACH MACHINE. *MAXIMUM AMPERAGE DRAW*

WATER REQUIREMENTS

MODEL	COLD	HOT	RECOMMENDED LINE SIZE TO SUPPLY ALL MACHINES
30022V6J	3/4"	(2) 3/4"	TO BE DETERMINED BY GENERAL CONTRACTOR
M758	3/4"	-	
HW299	1-1/2"	-	

GAS REQUIREMENTS

MODEL	GAS TYPE	MAX INPUT BTU/HOUR	CONNECTION SIZE	RECOMMENDED SUPPLY LINE
M758	LP	175,000	3/4"	TO BE DETERMINED BY GENERAL CONTRACTOR
HW299	LP	300,000	3/4"	

PROVIDE 1" LDDP TO EQUALIZE GAS PRESSURE. GAS CONNECTION TO BE PERFORMED BY QUALIFIED TECHNICIAN IN ACCORDANCE WITH LOCAL CODES.

EXHAUST / FRESH AIR MAKE-UP REQ.

MODEL	EXHAUST SIZE	AIR FLOW	FRESH AIR MAKE-UP REQUIREMENTS
M758	8"	1,000 CFM cal.	*Total Dryers 648 SQ. IN.
HW299	4"	-	DIRECT VENT

WHEN JOINING EXHAUST VENTS TO PLENUMS, USE 45° ANGLES. DUCTWORK SIZE WILL VARY WITH INSTALLATION CONDITIONS.

NOTES:

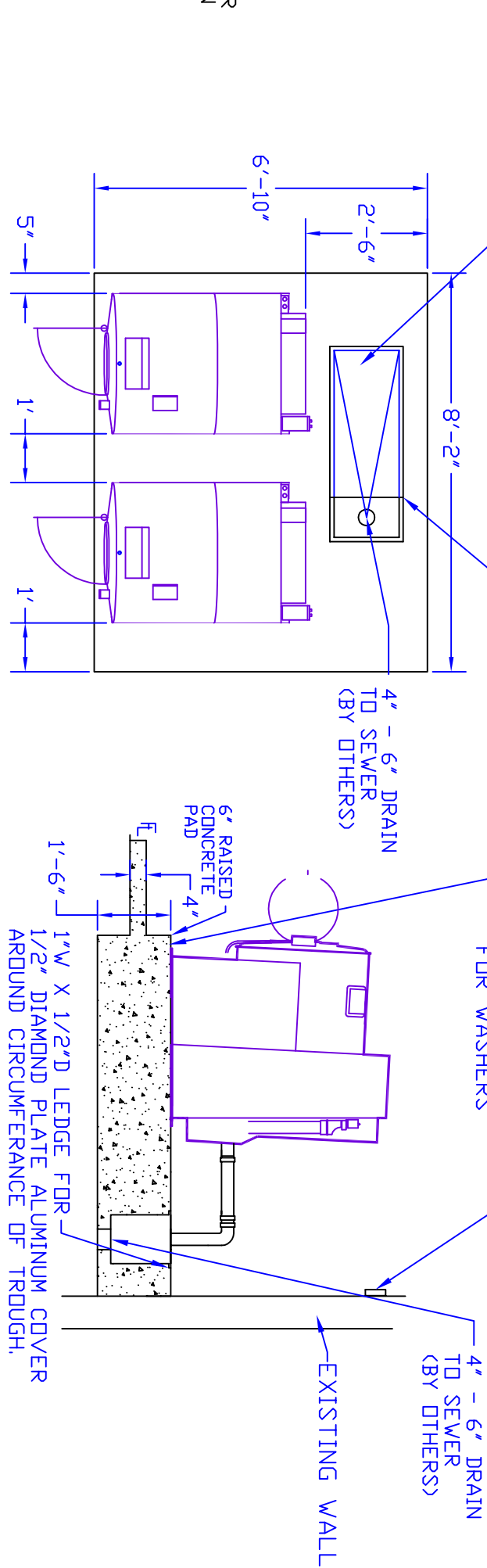
- * TROUGH SHOULD BE 4L X 18"W X 12" D. TROUGH SHOULD ALSO SLOPE 1/4" PER FOOT TOWARDS THE DRAIN.
- ** THE FRESH AIR INTAKE NEEDS TO BE SIZED BY USING THE EXHAUST AIR MAKE-UP REQUIREMENTS. RECOMMEND MOTORIZED LOUVERS ON EXTERNAL POWER SUPPLY WIRED IN PARALLEL TO AUXILIARY SWITCH ON DRYER BLOWER FAN MOTOR CONTRACTORS, DESIGNED BY MECHANICAL ENGINEER OR HVAC CONTRACTOR.
- *** THE DUCT WORK/COMMON PLENUM FROM THE DRYERS TO THE LINT COLLECTOR NEEDS TO BE SIZED BY A MECHANICAL ENGINEER OR PROJECT CONTRACTOR.

PAC Industries, Incorporated
5341 Jaycee Ave. Harrisburg, Pa 17112
Phone: (717) 657-0407 (800) 692-6214 Fax: (717) 657-8678

PROPOSED LAUNDRY ROOM LAYOUT

REV. 1	SCALE: 1/4" = 1'	DATE:	DRAWING # LA210003
DRAWING 1 OF 1			NAME: SMITH

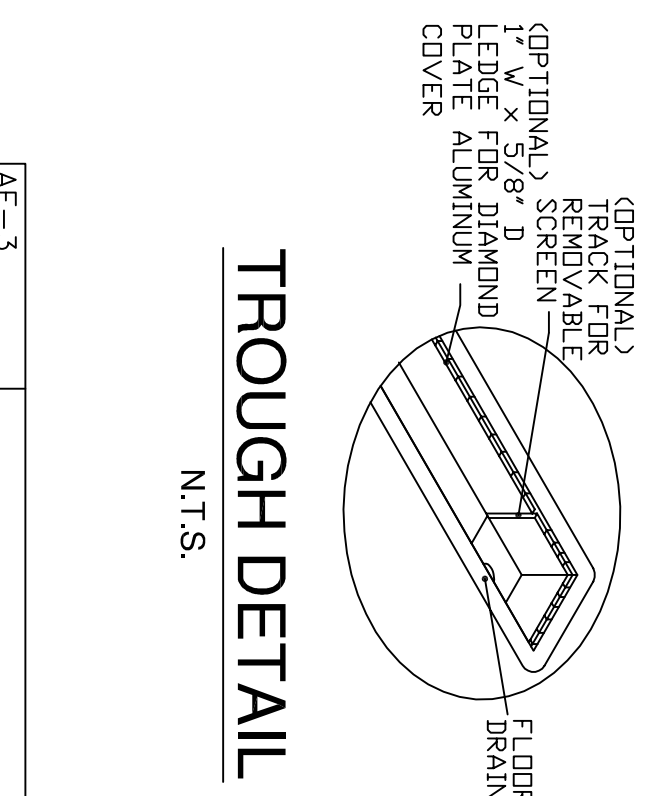
30022V6J DETAIL



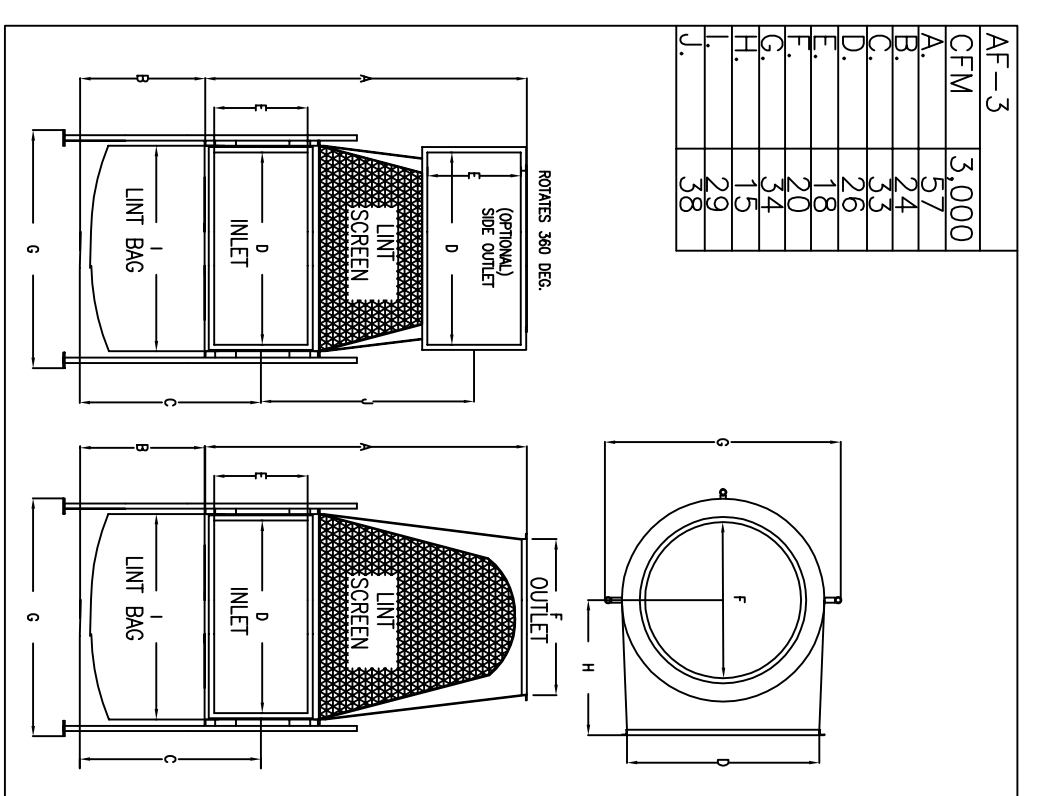
Typical Washer Pad & Drain Trough Detail.



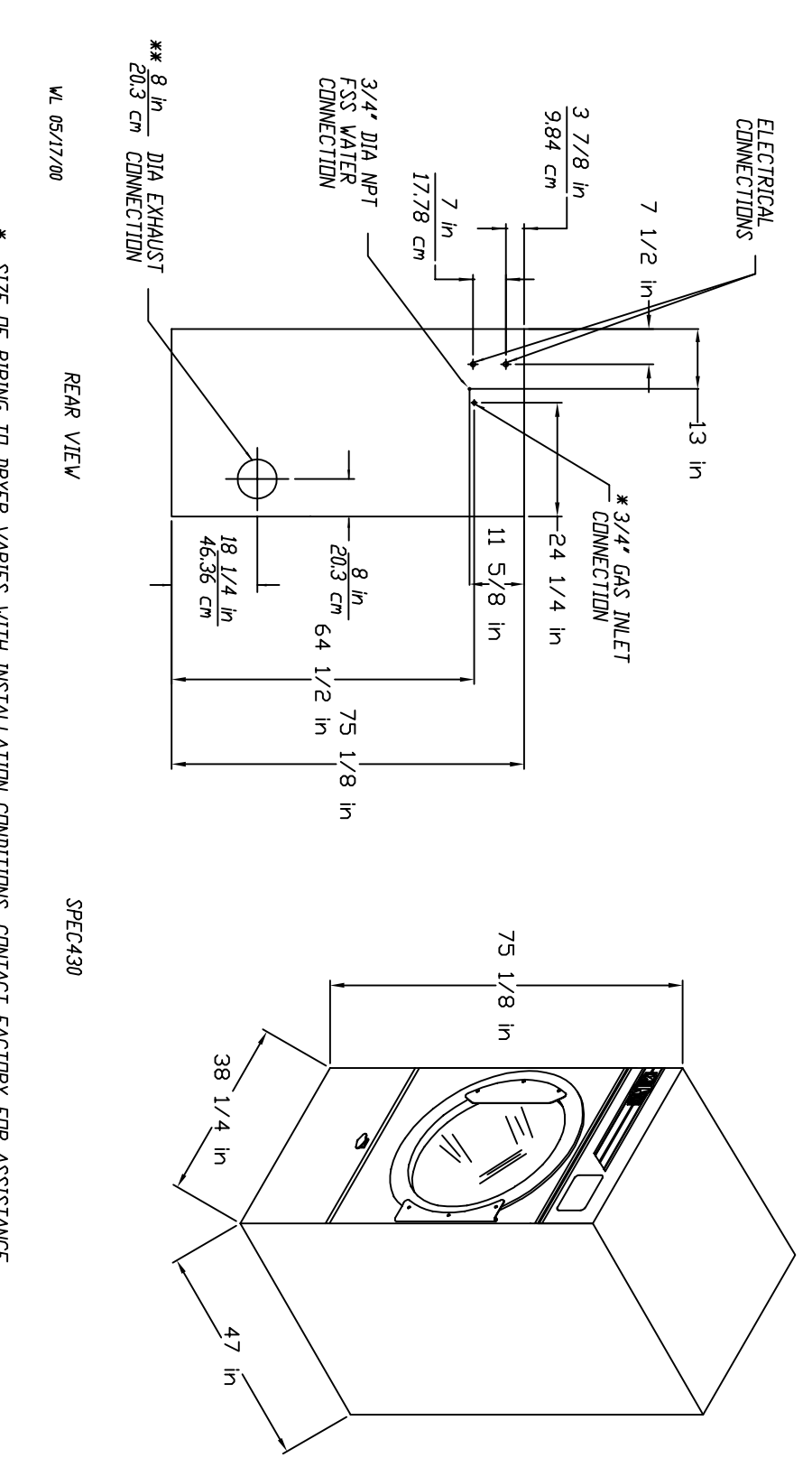
TROUGH DETAIL



AF3 DETAIL



M758 DETAIL



This drawing is the sole property of PAC Industries and has been created based on preliminary information supplied by others. The information contained in this document is tentative and not meant for construction purposes. The use of this document includes, but not limited to copying, submission to other distributors, or any action that may prove detrimental to PAC Industries.